

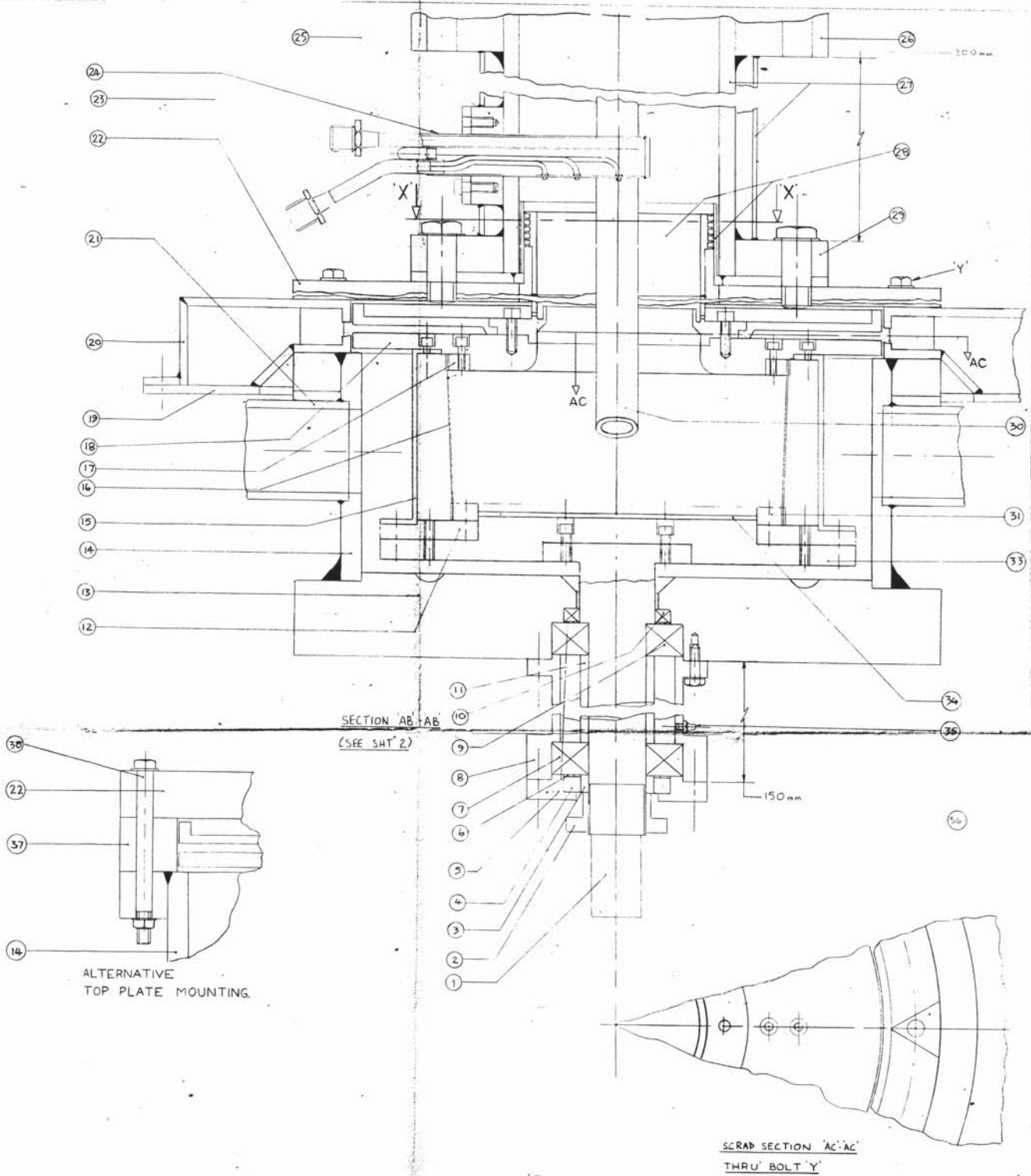
Some pages of this thesis may have been removed for copyright restrictions.

If you have discovered material in AURA which is unlawful e.g. breaches copyright, (either yours or that of a third party) or any other law, including but not limited to those relating to patent, trademark, confidentiality, data protection, obscenity, defamation, libel, then please read our [Takedown Policy](#) and [contact the service](#) immediately

MATERIALS NOTE: CS - HIGH CARBON STEEL
 M.S. - MILD STEEL SS - STAINLESS STEEL

PARTS LIST

ITEM	DESCRIPTION	N ^o	MAT ⁿ	REMARKS
1	DRIVE SHAFT	1	C.S. PRC.01.01	
2	DRIVE SHAFT NUT	1	M.S. EXISTING	
3	SPACER	1	M.S. PRC.01.02	
4	SEAL	1	- PIONEER 11M/6545B/B	
5	BEARING CAP	1	M.S. PRC.01.03	
6	SPACER	2	M.S. PRC.01.04	
7	BEARING	1	- UTIMKEN 339X	
8	BEARING HOUSING	1	M.S. PRC.01.05	
9	BEARING	1	- EXISTING	
10	SEAL	1	- EXISTING	AS ITEM 4
11	SPACER	1	M.S. PRC.01.06	
12	DISTRIBUTOR END PLATE	1	M.S. PRC.01.07	
13	PLENUM BOTTOM PLATE	1	M.S. PRC.01.08	
14	PLENUM DRUM	1	M.S. PRC.01.09	
15	SUPPORT CYLINDER	1	M.S. PRC.01.10	
16	DISTRIBUTOR	6	S.S. PRC.01.11	CONIDUR SHEET
17	SUPPORT RING	1	M.S. PRC.01.12	
18	DISTRIBUTOR END PLATE (TOP)	1	M.S. PRC.01.13	
19	DUST COLLECTOR BOTTOM	1	M.S. PRC.01.14	
20	DUST COLLECTOR TOP	1	M.S. PRC.01.15	
21	INLET PIPE	4	M.S. PRC.01.16	
22	PLENUM TOP PLATE	1	M.S. PRC.01.17	1 1/8" THICK
23	UNION BODY	4	ANY DELETED (ISSUE 3)	
24	GAS SAMPLING PROBE	1	SS PRC.01.18	
25	MOUNTING BLOCK	1	SS PRC.01.19	
26	FLANGE	2	SS B51560 CLASS 150 5" PIPE	
27	PIPE & WATER JACKET	1	SS PRC.01.20	
28	TRANSITION SECTION & SHIELD	1	SS PRC.01.21/1,2,3,4	
29	FLANGE	-	SS AS ITEM 27	
30	COAL FEED PIPE	1	SS 1" BORE	
31	SUPPORT RING	-	M.S. PRC.01.28	
32			M.S.	
33	BASEPLATE	1	M.S. PRC.01.22	
34	COVER PLATE	1	M.S. PRC.01.23	
35	GREASE NIPPLE	1	-	
36	SUPPORT	12	M.S. PRC.01.24	
37	RING	1	M.S. PRC.01.25	
38	FITTED BOLT	12	SS PRC.01.26	



PRESSURISED ROTATING FLUIDISED BED COMBUSTOR

PRC.01 ISSUE-2 ISSUE 3

SHEET: 1 OF 2

DRAWN: G. W. OSKAM

DATE: MARCH 1979

SCRAP SECTION 'AC-AC'
 THRU 'BOLT 'Y'

PARTS LIST

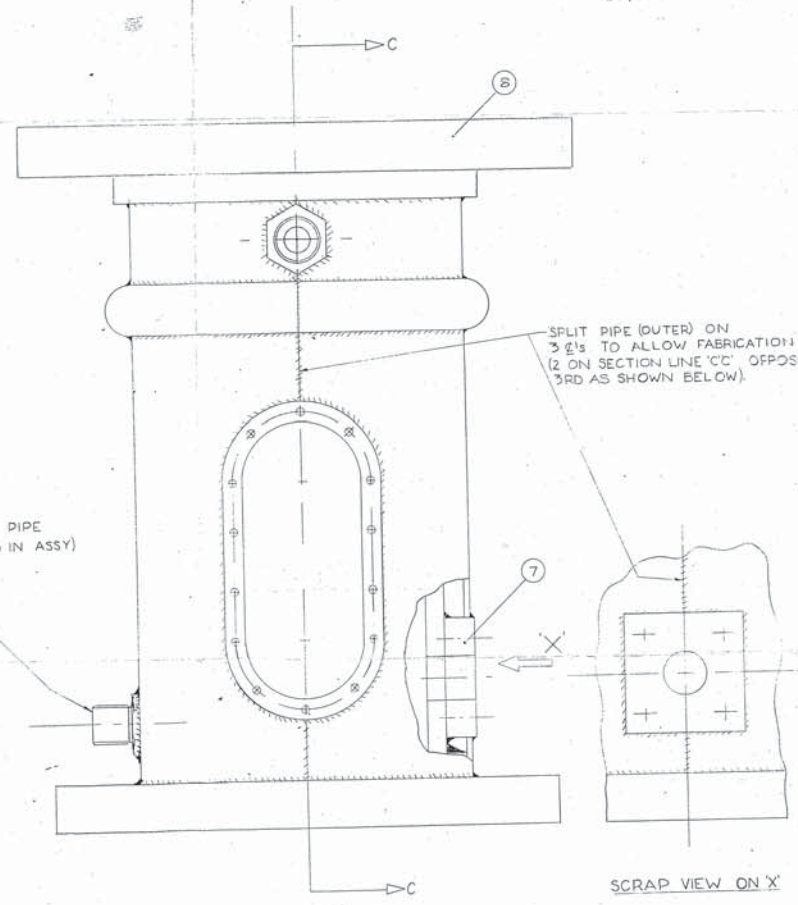
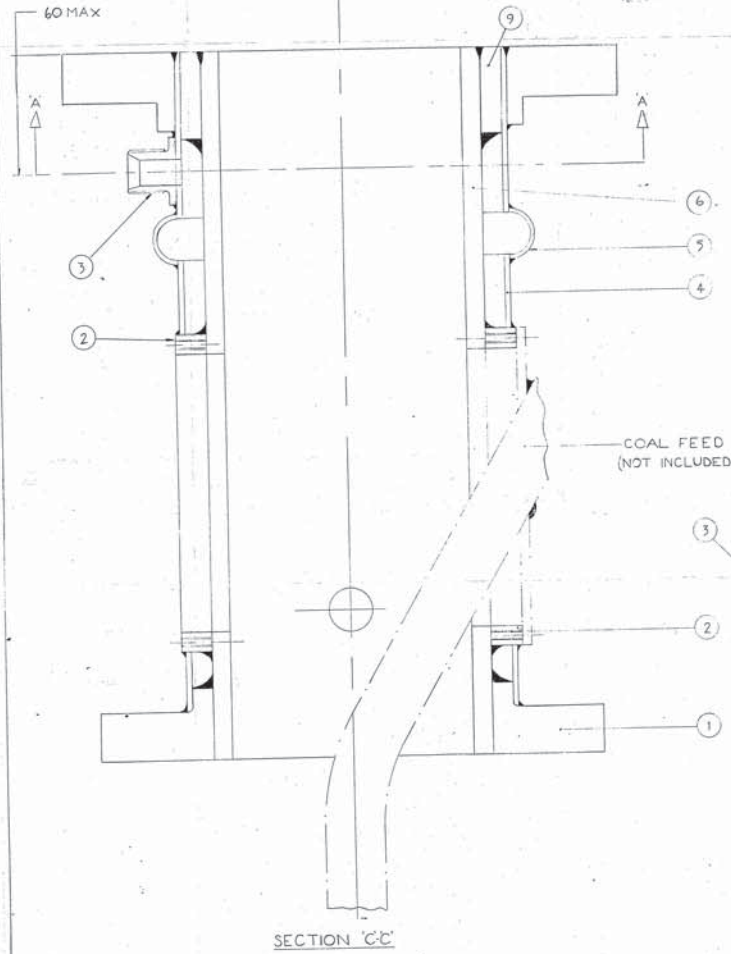
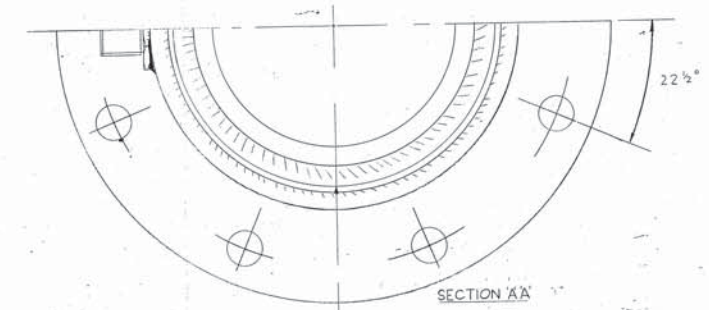
ITEM	DESCRIPTION	N° OFF	REMARKS
1	FLANGE	1	5" NOM. BORE, SLIP ON, ASA150
2	MOUNTING	2	NOTE 1.
3	UNION	2	1/2" BSP
4	PIPE (OUTER)	1	6" NOM. BORE, SCH. 5.
5	JOINT	1	1/4" NOM. BORE, SCH. 10.
6	PIPE (INNER)	1	5" NOM. BORE, SCH. 80.
7	PROBE MOUNT	1	NOTE 1.
8	FLANGE	1	6" NOM. BORE, SLIP ON, ASA150
9	RING	1	

NOTE 1: TO BE SUPPLIED BY UNIVERSITY WORKSHOP

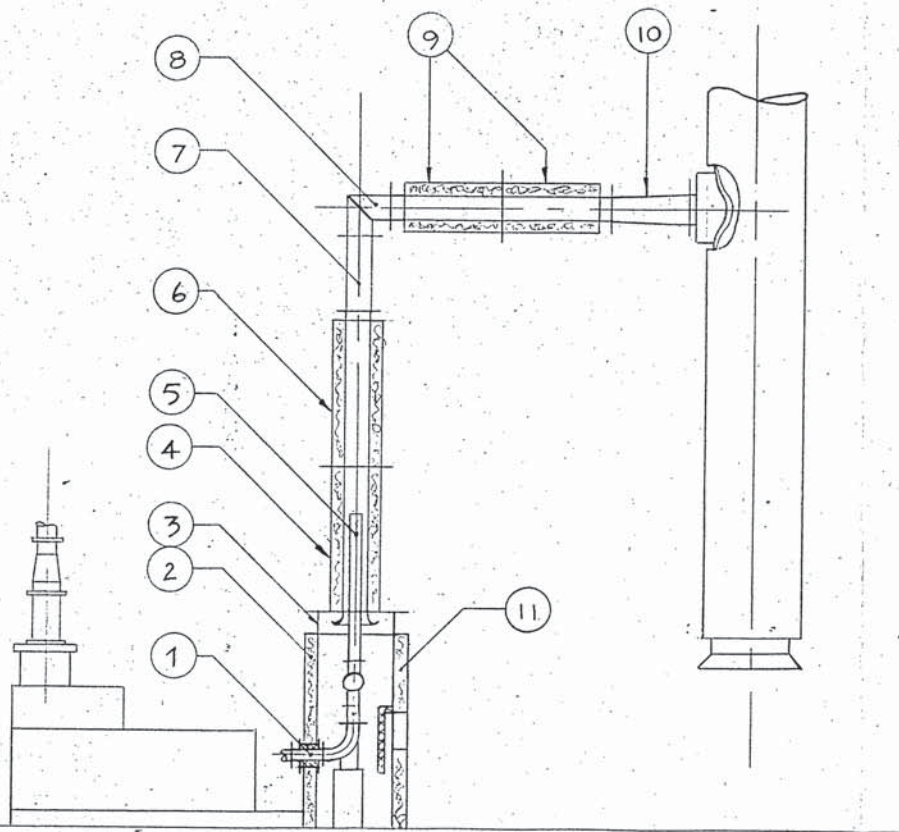
WELDING
 WELD WHERE SHOWN \perp , ∇ & \dots TO ASME PRESSURE VESSEL CODES.
 CRACK CHECK ALL WELDS
 PRESSURE TEST PIPE (OUTER) ASSY TO 80 lbs. PSIG.

GAS SAMPLING & COAL FEED DUCT

DRAWING N°	: GS1
N° OFF	: ONE
MATERIAL	: ST. S. GRADE 321
SCALE	: FULL SIZE
DIMENSIONS	: M.M.
DRAWN BY	: G.W. QSKAM



SCRAP VIEW ON X



ITEM	DESCRIPTION	N°OFF	MATL.
1	INSULATED ENTRY	1	M.S.
2	SIDEWALL	1	..
3	SUPPORT	1	..
4	MIXER SECTION 1	1	..
5	ENTRY TUBE	1	..
6	MIXER SECTION 2	1	..
7	EXTENSION	1	..
8	BEND (EXISTING)	1	-
9	MIXER SECTION 3	2	..
10	DIFFUSER	1	..
11	SIDEWALL	3	..
12			

NB

ALL M.S. TO BS 4360 (OR BETTER)

SCALE

1:24

DRN.

G.W. OSKAM

RFB COMBUSTOR RIG : EXHAUST SILENCER G:A.